



Brushless Magnetic Drilling Machine

ECO.200S/T



Congratulations on purchasing this premium magnetic drilling machine. At EUROBOOR we strive to exceed our customers' expectations by developing and providing premium and innovative portable drilling and cutting solutions. We believe that a professional like you must be able to rely on a professional supplier. Which has led us to become a major player in the industrial world, with our own factory and several offices worldwide. All because we have always listened to our customers and to the demands from the market.

Our vision is focused on developing innovative portable tools that add value for our customers and facilitate them in their daily work. We never lose sight of sustainability, time savings and cost savings.

Enjoy your new machine!

Before operating your new magnetic drilling machine, please first read all instructions. You find the instructions in this manual and on the warning label on your machine. With proper use, care and maintenance your machine will provide you with years of premium drilling performance.

TO REDUCE THE RISK OF INJURY USER MUST READ AND UNDERSTAND ALL INSTRUCTIONS

To view all our offices and their contact information please visit: www.euroboor.com

The original manual has been produced in the English language. If any discrepancies should occur in translations, reference must be made to the original version for clarification.

Table of contents

Table of contents	3
1. Safety	4
1.1 General safety instructions	4
1.2 Specific safety information	6
2. Description	8
2.1 Intended use	8
2.2 Description and features	8
2.3 Case content	9
2.4 Serial number	9
2.5 Technical data	10
3. Preparation & adjustment	13
3.1 Assembly	13
3.2 Prior to use	13
4. Using the machine	15
4.1 Control panel	15
4.2 Morse taper spindle	15
4.3 Electromagnet	16
4.4 Speed regulating system	17
4.5 Recommended speed parameter setting	18
4.6 Switching motor on and off	18
4.7 Motor rotation	19
4.8 Torque control	19
4.9 Power protection	19
4.10 Tool lubrication	20
5. Working with drilling accessories	21
5.1 Annular cutters	21
5.2 Twist drills	22
5.3 Machine taps	24
5.4 Countersinks	24
6. Maintenance	25
7. Trouble shooting	27
8. Exploded views & spare parts list	29
8.1 Exploded views	29
8.2 Sparepart lists	32
8.3 Wiring diagram	33
8.4 Warranty and service	34

1. Safety

1.1 General safety instructions

Do not use this magnetic drilling machine before you have thoroughly read and completely understood this manual, specifically the “General safety instructions” and “Specific safety information”, including the figures, specifications, safety regulations and the signs indicating DANGER, WARNING and CAUTION.



WARNING: *When using electrical tools, basic safety precautions should always be followed to reduce the risk of fire, electrical shock and personal injury.*

Please also observe the relevant national industrial safety regulations. Non-observance of the safety instructions can lead to an electric shock, burns and/or severe injuries.

This manual should be kept for later use and enclosed with the magnetic drilling machine, should it be passed on or sold.

Work area

1. Keep your work area clean and well lit. Cluttered and dark work areas increase the chance of accidents;
2. Do not operate a magnetic drilling machine in explosive atmospheres, such as in the presence of flammable liquids, gases or dust. A magnetic drilling machine may create sparks which could ignite the dust or fumes;
3. Keep bystanders, children and visitors away while operating a magnetic drilling machine. Distractions can cause you to lose control.

Electrical safety

1. A magnetic drilling machine plug must match the outlet. Never modify the plug in any way. Do not use any adapter plugs;
2. Avoid body contact with grounded surfaces such as pipes, radiators, ranges and refrigerators. There is an increased risk of electric shock if your body is grounded;
3. Do not expose the magnetic drilling machine to rain or wet conditions. Water entering a machine will increase the risk of electric shock;
4. Do not abuse the cord. Never use the cord to carry the magnetic drilling machine or pull the plug from an outlet. Keep the cord away from heat, oil, sharp edges or moving parts. Replace damaged cords immediately. Damaged cords increase the risk of electric shock;
5. When operating a magnetic drilling machine, use an extension cord suitable for outdoor use, this reduces the risk of electric shock;
6. If operating a magnetic drilling machine in a damp location is unavoidable, use a residual current device (RCD), this reduces the risk of electric shock.

Personal safety

1. Stay alert, watch what you are doing and use common sense when using a magnetic drilling machine. Do not use the machine while tired or under the influence of drugs, alcohol, or medication. A moment of inattention while operating a magnetic drilling machine may result in serious personal injury;
2. Dress properly. Do not wear loose clothing or jewelry. Keep your hair, clothing and gloves away from moving parts. Loose clothes, jewelry, or long hair can be caught in moving parts;
3. Avoid accidental starting. Be sure the switch is off before plugging the machine in. Carrying a magnetic drilling machine with your finger on the switch or plugging in a magnetic drilling machine that has the switch on increases the change of accidents;
4. Never place hands, fingers, gloves or clothing near drilling area or rotating machine parts;
5. Remove adjusting keys or switches before turning the machine on. A wrench or a key that is left attached to a rotating part of the machine may result in personal injury;
6. Do not overreach. Keep proper footing and balance at all times. Proper footing and balance enables better control of the magnetic drilling machine in unexpected situations;
7. Use safety equipment. Always wear eye protection. Dust mask, non-skid safety shoes, hard hat and hearing protection must be used for optimal safety;
8. Always use supplied safety chain during any work on non-horizontal surfaces. Magnetic drilling machine can release from surface.



WARNING: *Wear ear and eye protection when using this machine.*

Machine use and care

1. When using the machine on non-horizontal surfaces, you must use cutting paste. Do not use oil because the oil can drip into the motor unit;
2. While operating the machine, the annular cutter must be cooled and lubricated with high quality cutting lubricants;
3. Always remove the slug from the annular cutter after each hole.



WARNING: *The metal slug can be sharp and very hot!*

4. Use clamps or other practical solutions to secure and support the workpiece to a stable platform. Do not use the machine when the switch does not turn it on or off. Any machine that cannot be controlled with the switch is dangerous and must be repaired;
5. Disconnect the plug from the power source before making any adjustments, changing accessories or storing the tool. Such preventive safety measures reduce the risk of starting the tool accidentally;
6. Store your magnetic drilling machine out of reach for children and other untrained persons. Tools are dangerous in the hands of untrained users;
7. Maintain your machine with care. Keep cutting tools sharp and clean. Properly maintained tools, with sharp cutting edges are less likely to break and are easier to control;
8. Check for misalignment of moving parts, breakage of parts and any other condition that may affect the machine's operation. If you detect damage have the machine serviced before use. Many accidents are caused by poorly maintained tools;
9. Only use accessories that are recommended by EUROBOOR for your machine model. Accessories that are suitable for one machine may become hazardous when used on another machine.

Service

1. Tool service must be performed only by qualified repair personnel. Service or maintenance performed by unqualified personnel could result in risk of injury;
2. When servicing a tool, use only identical replacement parts. Follow instructions in the maintenance section of this manual. Use of unauthorised parts or failure to follow maintenance instructions may create a risk of electric shock or injury;
3. EUROBOOR offers Armature kits containing official EUROBOOR spare parts suitable for your magnetic drilling machine.

1.2 Specific safety information

- Keep your fingers away from the drilling area;
- Avoid touching the slug that is automatically ejected by the pilot pin when the working procedure is finished. Contact with the slug when it is hot, or if it falls, can cause personal injuries;
- Always use the safety chain;
- The magnetic drilling machine is suitable for use on steel with a thickness starting from 6 mm, with zero air gap between the magnet core surface and the mounting surface. Curvature, coats of paint and surface irregularities will create an air gap. Keep the air gap to a minimum;
- Always place the machine on a flat surface;
- Do not clamp the magnetic drilling machine on small or irregular shaped objects;
- Always place the machine on a surface that is clear of shavings, chips, swarf and surface dirt;
- Keep the magnet clean and free of debris and swarf;
- Do not switch on the machine before checking whether the magnetic stand has been tightened firmly to the mounting surface;
- Adjust the machine so cutter does not extend into the workpiece before drilling. Do not perform any design, assembly or construction activities on the workpiece while the machine is switched on;
- Before switching on the machine, make sure all accessories have been mounted correctly;
- Do not switch on the machine until it has been mounted and installed according to all above mentioned instructions;
- Always use the recommended speed for the accessories and material you are working with;
- Do not use the machine on the same workpiece on which electric welders are working;
- Only use an appropriate cutting lubricant. EUROBOOR offers a wide range of well-considered cooling and lubrication products to match your requirements;
- Do not use liquid cutting fluids while drilling vertically or overhead. Dip the cutter in cutting paste or apply an appropriate spray for these applications;
- Do not pour cutting fluid into the reservoir while it is mounted in the bracket. Do not allow cutting fluid to enter the drill motor;
- Before use, ensure movable safety guard operates properly;
- In case of a jammed cutter, turn off the machine, disconnect the machine from the power supply and then remove the reason for the jam before turning on the machine again.

Residual risk

In spite of following the relevant safety regulations and their implementation, certain residual risks cannot be avoided. These are:

- Impairment of hearing;
- Risk of personal injury from flying particles;
- Risk of burns due to accessories becoming hot during operation;
- Risk of personal injury due to prolonged use.

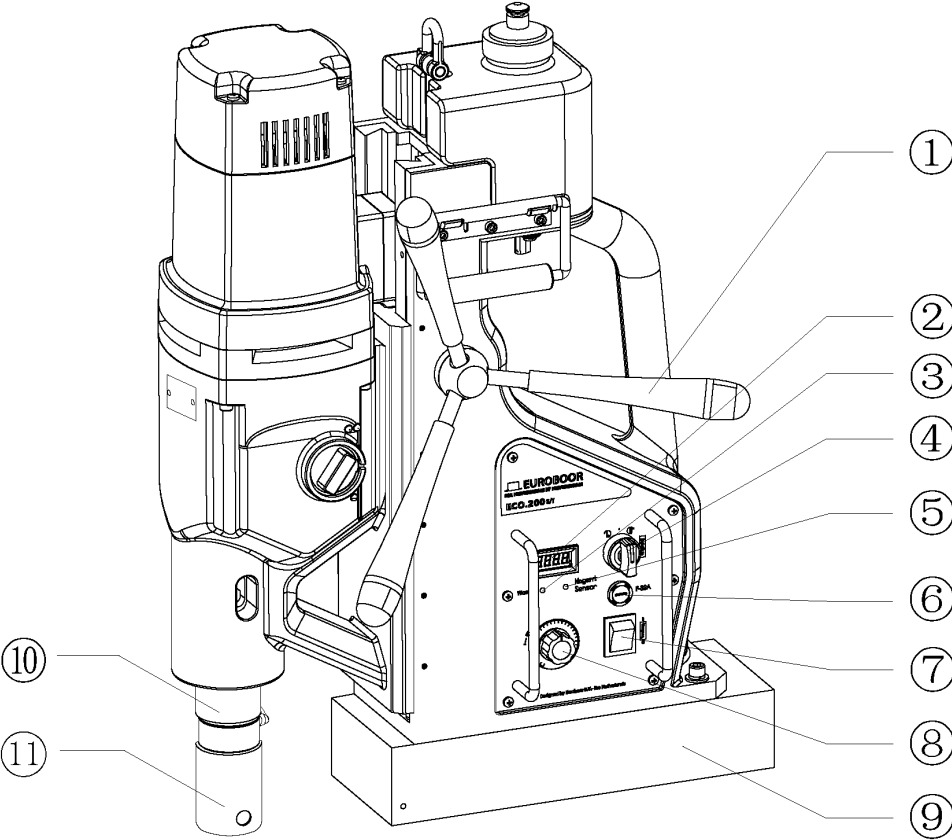
Always try to reduce these risks as much as possible.

2. Description

2.1 Intended use

This magnetic drilling machine is intended for commercial use as a drilling machine for drilling materials with a magnetisable surface using annular cutters, twist drills, reamer and for countersinking weather-protected environment using the application tools and accessories recommended by EUROBOOR. The magnetic drilling machine can only be used horizontally or vertically.

2.2 Description and features



[image 2-1]

- 1. Feed handle
- 2. Digital display
- 3. Trouble alarm lamp
- 4. Motor L/R knob
- 5. Magnet LED indicator
- 6. Fuse holder
- 7. Electromagnet switch
- 8. Electronic speed-control knob
- 9. Electromagnet
- 10. Output shaft
- 11. Morse taper spindle

2.3 Case content

- 1 x ECO.200S/T Magnetic drilling machine
- 3 x handles
- 1 x hex key 2.5 mm
- 1 x hex key 5 mm
- 1 x hex key 6 mm
- 1 x lubrication system
- 1 x safety chain
- 1 x arbor MT4 to Weldon 31.75 mm (1 1/4") incl. lubrication ring
- 1 x arbor MT3 to Weldon 19.05 mm (3/4") incl. lubrication ring
- 1x Morse taper adapter MT4 to MT3
- 1 x Morse taper MT4 ejector drift key
- 1 x safety ear protection
- 1 x safety goggles
- 1 x safety gloves

2.4 Serial number

The serial number is mentioned on the machine three times: engraved on the frame, engraved on the magnet and on the serial no. sticker on the motor housing. Additional serial no. stickers are provided with the machine for your administration.

The serial number will help you, your dealer and EUROBOOR to validate and identify the machine.

For example:

1002003001

breaks down to:

100 20 03 001

Machine series

Year of manufacture

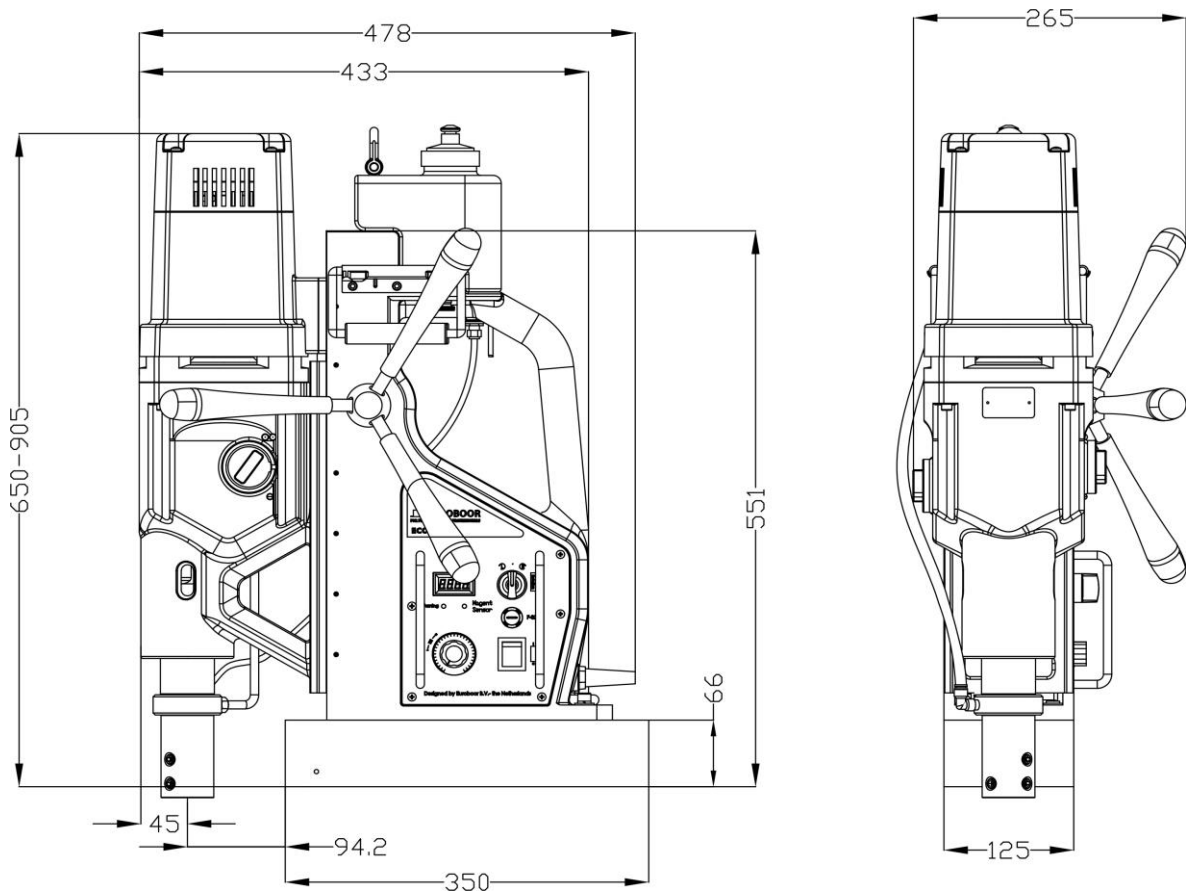
Month of manufacture

Identification number

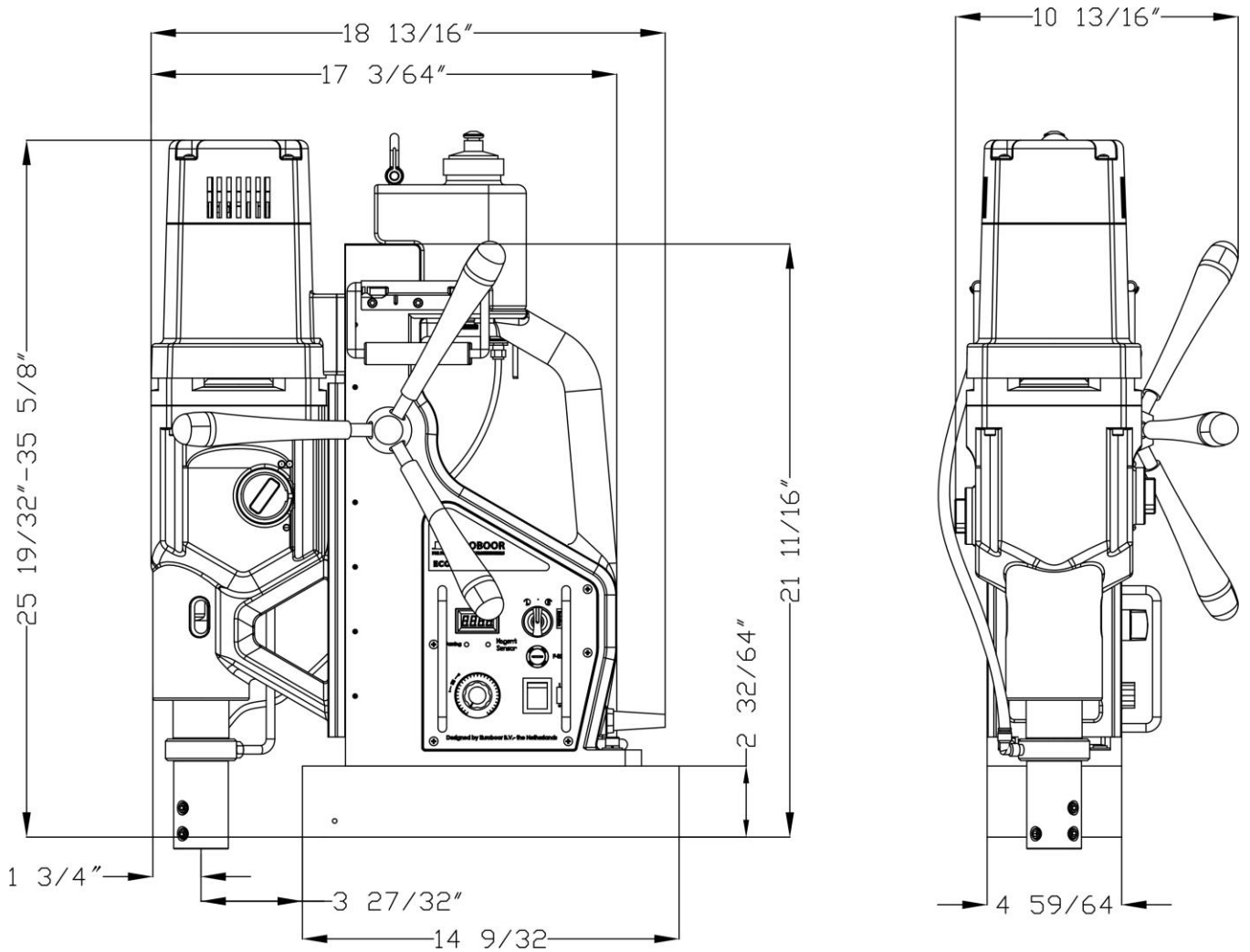
2.5 Technical data

	Metric	Imperial
Annular cutting	∅ 12 - 200 mm	∅ 1/2" - 7 7/8"
Twist drilling	∅ 3 - 50.5 mm	∅ 1/8" - 1 63/64"
Tapping	M3 - M52	1/8" - 1 57/64"
Reaming	∅ 10- 50mm	25/64"-1 31/32"
Countersinking	∅ 10 - 205 mm	∅ 3/8" - 8 5/64"
Length	515 mm	20 9/32"
Width	265 mm	10 13/16"
Height	650 - 905 mm	25 19/32" - 35 5/8"
Stroke	255 mm	10 3/64"
Weight	58.5kg	129 lbs
Magnet (l x w x h)	350 x 125 x 66 mm	14 9/32" x 4 59/64" x 2 19/32"
Magnetic force	2,500 kg	5511 lbs
Motor power	2,800 W	25.0 A
Total power	2,950 W	26.3 A
Speed (no load)	(I) 40 - 80 rpm (II) 60 - 125 rpm (III) 145 - 300 rpm (IV) 230 - 470 rpm	
Spindle	MT4 to Weldon 31.75 mm	MT4 to Weldon 1 1/4"
Voltage	220 - 240 V / 50 - 60 Hz	110 - 240 V / 60 Hz





Dimensions(mm)









Dimensions(inches)



2.6 Symbols

Symbol	Term, meaning	Explanation
	Read documentation	Be sure to read the documentation in this user manual and specifically the “General safety instructions” and “Specific safety information”
	Wear ear protection	Use ear protection during operation
	Wear eye protection	Use eye protection during operation
	Danger/warning/caution	Read and apply the information in the adjacent text!

Symbol	Term, meaning	Explanation
	European conformity	Conformity with EEA machine regulations
	Class of protection I	Product with basic insulation and exposed (touchable) conductive parts additionally connected to the protective earth conductor
	Electromagnetic Compatibility	Able to function acceptably in its electromagnetic environment
	International Electrotechnical Commission	Conformity with international electrotechnical safety standards
	ISO9001	Certified in accordance with ISO9001:2015 quality management system
	UL	Certified by Underwriters Laboratories (UL), a recognized laboratory for safety testing approved by US federal agency OSHA
mm	Millimeter	Unit of measure for the dimensions
"	Inch	Unit of measure for the dimensions
kg	Kilogram	Unit of measure for the mass
lbs	Pound	Unit of measure for the mass
V	Volt	Unit of measure for the electric voltage
A	Ampere	Unit of measure for the electric current intensity
W	Watt	Unit of measure for the output
rpm	Revolutions per minute	Unit of measure for the revolutions

2.7 Environmental



Separate collection. This product must not be disposed of with normal household waste.



Separate collection of used products and packaging allows materials to be recycled and used again. Re-use of recycled materials helps prevent environmental pollution and reduces the demand for raw materials.

Local regulations may provide for separate collection of electrical products from the household, at municipal waste sites or at the retailer when you purchase a new product.

3. Preparation & adjustment

3.1 Assembly



WARNING: To reduce the risk of injury, turn machine off and disconnect from power source before installing and removing accessories, before adjusting or changing set-ups or when making repairs. Be sure all switches are in the OFF position. An accidental start-up can cause injury.

Fitting the feed handles

1. Fit each of the three feed handles by screwing them into the hub in clockwise direction;
2. Tighten firmly by hand.

The handles are supposed to face slightly outward. Be careful not to cross-thread any of the components.

Filling the container with cutting fluid

In order to use the lubrication system, it must be filled with a sufficient amount of cutting fluid.

1. Make sure the flow regulator is closed;
2. Unscrew the cap;
3. Fill the container with cutting fluid;
4. Screw the cap back on.



WARNING: Do not use the lubrication system in vertical drilling applications.

Fitting the safety chain

1. Pass the safety chain through the frame grip opening;
2. Wrap the chain around the workpiece;
3. Securely close the chain using the lock.



WARNING: The safety chain does not replace the magnetic force of the magnetic drilling machine: it is simply used to protect the operator in the event of machine slipping

3.2 Prior to use

- ✓ Please make sure that the contacting surface for the magnet is level, clean and rust free. Remove any varnish or primer. When working on materials that are not magnetisable, suitable fixation devices, obtainable as accessories from EUROBOOR, e. g. suction plate, vacuum plate or pipe-drilling machine must be used.
- ✓ When working on steel materials with a material thickness of less than 6 mm, the workpiece must be reinforced with an additional steel plate in order to guarantee the magnetic holding power.
- ✓ Check the machine for possible damage; Before using the machine, you must carefully check the protective components or slightly damaged components to ensure they are operating perfectly and as intended.

- ✓ Check that moving parts are in perfect working order, do not jam and check whether the parts are damaged. All parts must be correctly installed and fulfill all conditions necessary to ensure perfect operation of the machine.
- ✓ Damaged protective components must be repaired or replaced according to specifications by EUROBOOR or any authorised EUROBOOR dealer.
- ✓ **DO NOT** use under wet conditions or in presence of flammable liquids or gases.
- ✓ **DO NOT** let children come into contact with the machine. Supervision is required when inexperienced operators use this machine.

Electrical safety

The electric motor has been designed for one voltage only. Always check that the power supply corresponds to the voltage on the rating plate.

Your EUROBOOR magnetic drilling machine is designed in class I (grounded) according to EN 61029-1. Earth wire is required.

If the supply cord is damaged, it must be replaced by a specially prepared cord available at EUROBOOR or your EUROBOOR dealer.

Extension cord

If an extension cord is required, use an approved 3-core cable suitable for the power input of this machine (see technical data):

- The minimum conductor size is 2.5 mm² (for 220V) or 14 AWG (Amperage Wire Gauge for 110V) for 7.5 m (± 25 ft)
- The minimum conductor size is 2.5- 4 mm² (for 220V) or 12 AWG (Amperage Wire Gauge for 110V) for 15 m (± 50 ft).



WARNING: *When using a reel, always unwind the cable completely!*

Useful tips

- Try a few simple projects using scrap material until you develop a “feel” for the magnetic drilling machine;
- Let the machine run in for a period of eight to ten hours before starting with big operations. Do not load the machine too much during this run-in period;
- Never use the machine with serious overload;
- Keep the machine clear from moisture at all times to protect the machine, yourself and others.

4. Using the machine



WARNING: Always observe the safety instructions and applicable regulations.

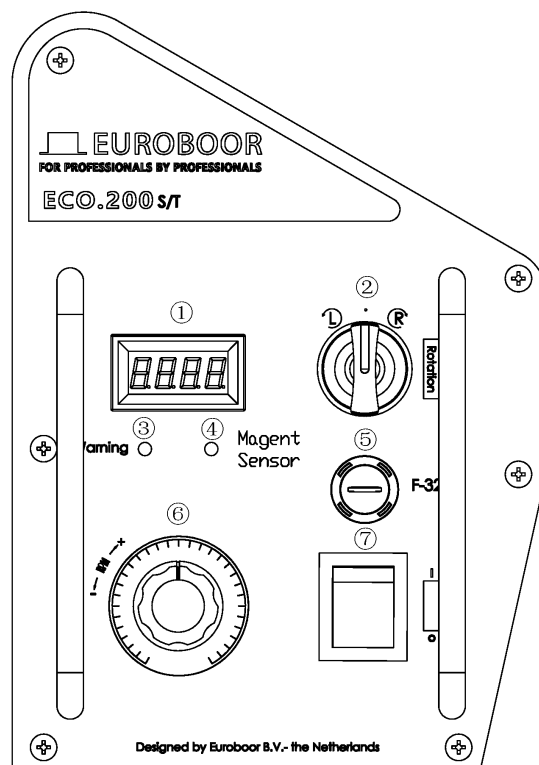


WARNING: To reduce the risk of serious personal injury, turn the machine off and disconnect the machine from power source before making any adjustments or removing/mounting attachments or accessories.

4.1 Control panel

The control panel on your magnetic drilling machine is designed for maximum ease of use and safety.

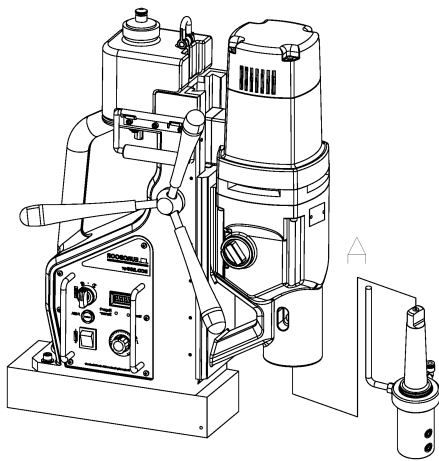
1. Digital display
2. Motor L/R knob
3. Trouble alarm lamp
4. Magnet LED indicator
5. Fuse holder
6. Electronic speed control knob
7. Electromagnet switch



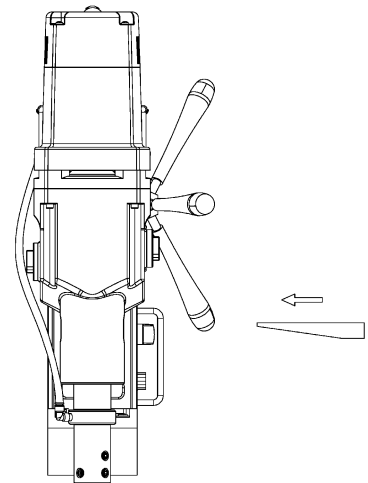
[image 4-1]

4.2 Morse taper spindle

1. Make sure the inside of the output shaft and the Morse taper spindle are clean and free of grease;
2. Position the lubrication ring rotation limiter behind the bridge between the output shaft and the frame;
3. Firmly slide the Morse taper spindle into the output shaft by hand (A). Make sure the spindle is properly positioned. You should not be able to pull it out by hand;



[image 4-2]



[image 4-3]

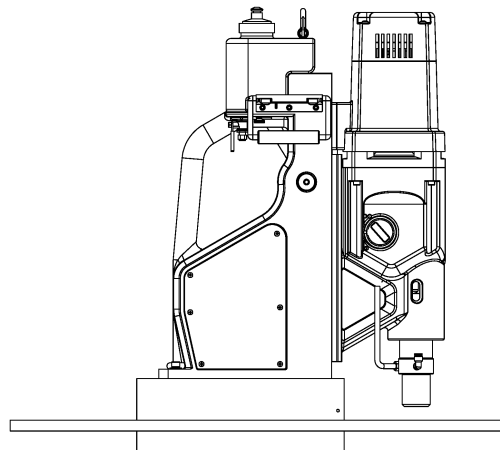
4. To remove the Morse taper spindle:

- Switch off the motor by turn the motor L/R knob in neutral position;
- Rotate the mechanical gear switch to neutral (see paragraph 4.4 Gearbox);
- Rotate the output shaft until the slots on the shaft align with the slots on the gearbox;
- Gently tap the supplied drift into the slots to push the Morse taper arbor out.

4.3 Electromagnet

Make sure the magnetic drilling machine is placed on a smooth, clean, level and solid surface without any objects or debris to guarantee maximum adhesion.

The workpiece must at least be 6 mm (1/4") thick for the magnet to stick and to drill safely. In case the workpiece is between 3 mm (1/8") and 6 mm (1/4"), make sure to make a proper base to create a good magnetic field as shown below.



[image 4-4]

The electromagnet will work best on surfaces of at least 10 mm (3/8") thickness.

When the electromagnet is not able to create a good enough magnetic field, this may be caused by:

- Surface not being flat;
- Workpiece is not magnetisable (e.g. aluminium);
- Workpiece is coated or painted;
- Workpiece is not thick enough.

In this situation the magnet indicator will light up red. Make sure to solve any of these matters before proceeding in any way and creating unsafe situations.

We want to point out that above mentioned precautions and indicators do not guarantee that the magnet will not release from the material. EUROBOOR accepts no liability when it comes to the magnet indicator not functioning or functioning poorly.

Make sure that the magnet attaches tightly to the work piece before turning on the motor unit of the magnetic drilling machine. This electromagnet has two coils; make sure that both coils are in contact with the material. Do not connect any other machine to the same electrical outlet which the magnetic drilling machine is plugged into, as it may result in the loss of magnetic force.

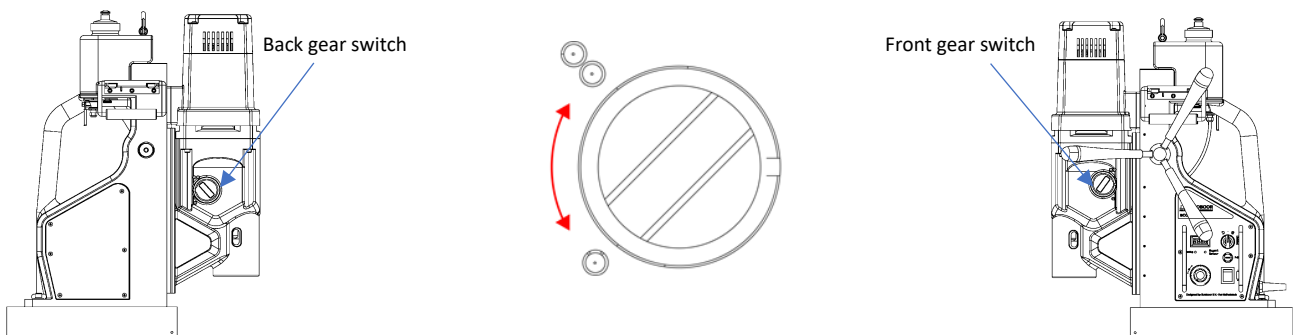
Always use the safety chain included. Drilling above your head is extremely dangerous and is not recommended. For the use of magnetic drilling machines on pipes, not-flat or non-magnetic materials, we refer to our catalogue or our website www.euroboor.com where several vacuum tightening systems, pipe clamping systems and Tube machines can be found.

4.4 Speed regulating system

This machine is equipped with both 4-speed gearbox and electronic speed control.

Gear switches on both sides make it possible to select 4 different speeds manually. Select the closest gear and speed for the intended operation.

1. To select the correct gear from neutral (horizontal) position:
 - a) Rotate the switch counter clockwise to position "o";
 - b) Rotate the switch clockwise to position "oo".
2. A gear is only correctly selected when the gearbox switches are both aligned with the indicators on the gearbox: In case you have trouble fully and correctly selecting a gear, the gears in the gearbox might be misaligned. Slightly rotating the output shaft by hand will help you to align the gears and correctly and fully select the intended gear;



[image 4-5]

The electronic speed control knob allows you to electronically control the speed of the motor(in both clockwise and counter clockwise direction):

- The indicator of the speed control knob in bottom left corner is minimum speed;
- The indicator of the speed control knob in bottom right corner is maximum speed;

The digital display can show the speed parameter (140-285)you set by rotating the speed control knob.

4.5 Recommended speed parameter setting

With the combined application of both mechanical and electronic speed control,ECO.200S/T can provide precise output speed for your drilling work.

1. for annular cutters

Gear switch		Speed control knob	Output speed	Cutter DIA	
Front switch	Back switch	Digital display	RPM	MM	Inch
<input type="radio"/>	<input type="radio"/> <input type="radio"/>	285	468	12-40	15/32"-1 37/64"
<input type="radio"/> <input type="radio"/>	<input type="radio"/> <input type="radio"/>	285	298	41-70	1 39/64"-2 3/4"
<input type="radio"/>	<input type="radio"/>	225-285	97-125	71-100	2 51/64"-3 15/16"
<input type="radio"/> <input type="radio"/>	<input type="radio"/>	180-285	50-79	101-190	3 31/32"-7 31/64"
<input type="radio"/> <input type="radio"/>	<input type="radio"/>	160-180	44-50	191-200	7 33/64"-7 7/8"

2.for twist drill and reamer

Gear switch		speed control knob	Output speed	Twist drill & reamer DIA	
Front switch	Back switch	Digital display	RPM	MM	Inch
<input type="radio"/>	<input type="radio"/> <input type="radio"/>	285	468	3-28	1/8"-1 7/64"
<input type="radio"/> <input type="radio"/>	<input type="radio"/> <input type="radio"/>	285	298	29-50.5	1 9/64"-1 63/64"

3.for machine tap

Gear switch		speed governor	Output speed	Machine tap DIA	
Front switch	Back switch	Set value	RPM	MM	Inch
<input type="radio"/> <input type="radio"/>	<input type="radio"/>	140-285	39-79	3-50	1/8"-1 31/32"
<input type="radio"/> <input type="radio"/>	<input type="radio"/>	140	39	52	2 3/64

1. for countersink

Gear switch		Speed control knob	Output speed	Countersink DIA	
Front switch	Back switch	Digital display	RPM	MM	Inch
<input type="radio"/>	<input type="radio"/> <input type="radio"/>	140-285	230-468	10-200	25/64"-7 7/8"

4.6 Switching motor on and off

To switch the motor ON, turn the motor L/R knob to "L" or "R" position. To switch the motor OFF, turn the motor L/R knob to neutral position.



WARNING: Before switching the motor on, pls switch on the magnet and make sure that the magnet LED indicator is green.

4.7 Motor rotation

The rotational direction of the motor can be changed:

- Rotate the L/R knob in position (R) will make the motor rotate clockwise;
- Rotate the L/R knob in position (L) will make the motor rotate counter clockwise;
- Rotate the L/R knob in middle position will not make the motor rotate (neutral position).

4.8 Torque control

Built-in electronic torque control will automatically stop the motor in case of overload. Once torque control program is activated, turn the R/L knob in the neutral position, then turn the knob in "L" or "R" again to restart the drilling work.

4.9 Power protection

The power protection feature is two-fold; it consists of both power fluctuation protection and power surge protection. Special safety components built into the electronics of the machine make it more reliable in situations where power supply can be of varying quality due to factors:

- Around the workplace, for example caused by switching on high power or unreliable electrical devices, a broken circuit breaker or faulty wiring;
- Outside the workplace, for example caused by an instable power grid or lightning.
-

A machine with this feature is able to cope with standard rated voltage and frequency fluctuations ranging from:

- 110 Volt to 130 Volt and 45 Hz to 65 Hz, or
- 220 Volt to 240 Volt and 45 Hz to 65 Hz

reducing the probability of breakdown and minimising down-time and repair cost.

Power fluctuation protection

When the frequency is too high (above 65 Hz) or too low (below 45 Hz), the motor will not start. If the frequency of the power supply falls outside the range during your drilling job, the motor will shut off automatically. The machine will work again normally when the normal frequency has been restored.*

Power surge protection

Beyond the rated voltage, a machine with this feature is able to cope with voltage spikes up to 4,000 Volt (1-2 μ s)*. Depending on the height of the spike, it may be necessary to replace built-in fuses, the control unit or the power switch, but other valuable parts like the motor and magnet will be protected.

***Disclaimer: Euroboor is not liable for any damage caused to the machine due to electrical problems in the workplace. Above mentioned protection is not guaranteed in all cases of voltage spikes and/or frequency fluctuations. Euroboor accepts no liability when it comes to the power protection not functioning or functioning poorly.**

In the situation of the motor being shut off automatically as self-protection, you should:

- Shut off the motor;
- Disconnect the machine from the power source;
- Fix the source of the problem, by either:
 - o Making sure the issues with the power source is fixed;
 - o Connect the machine to a different and reliable power source;
- Continue using the machine as described in this user manual.

4.10 Tool lubrication

Horizontal applications

In order to use the lubrication system, the tank must be filled with a cutting lubricant.

1. Make sure the flow regulator is closed;
 2. Unscrew the cap;
 3. Fill the container with cutting lubricant;
 4. Screw the cap back on.
- Adjust the fluid flow as required using the flow regulator;
 - Add more cutting lubricant when the shavings (metal chips) become blue.



WARNING: Do not use the lubrication system in vertical drilling applications. Instead use EUROBOOR cutting paste or spray.

Make sure to use only suitable cutting lubricants. EUROBOOR offers a wide range of cutting lubricants for all tool and material combinations. Proper lubrication will help you create better and faster results, and extend the lifetime of your tools.

5. Working with drilling accessories

5.1 Annular cutters

Annular cutters only cut material at the periphery of the hole, rather than converting the entire hole to shavings. As a result, the energy required to make a hole is lower than with a twist drill.

When drilling with an annular cutter, it is not necessary to drill a pilot hole.



WARNING: Do not touch the cutter or the parts close to the cutter immediately after operation, as they may be extremely hot and cause burns to the skin. Ensure nobody is in the work area where the metal core (slug) is ejected.

Drilling conditions

The ease with which material can be drilled depends on several factors including tensile strength and abrasion resistance. Whilst hardness and/or strength is the usual criterion, wide variations in machinability can exist among material showing similar physical properties.

xi

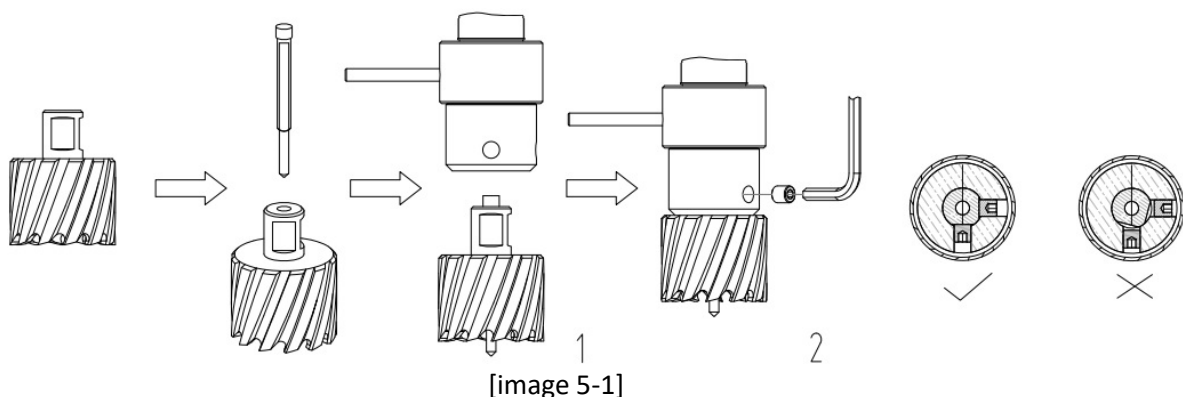
The drilling conditions are dependent on requirements for tool life and surface finish. These conditions are further restricted by the rigidity of the tool and the workpiece, lubrication and machine power available. The harder the material, the lower the cutting speed.

Some materials of low hardness contain abrasive substances leading to rapid cutting edge wear at high speeds. Feed rates are governed by rigidity of set-up, volume of material to be removed, surface finish and available machine power.

Drilling a hole

Now that you have read the information and safety recommendations above, you are ready to actually start drilling. Follow these 12 steps for best drilling result:

1. Install the annular cutter:
 - Place the pilot pin into the cutter;
 - Align the flat faces on the cutter shank with the screws in the tool holder;
 - Make sure the cutter shank is entered fully and correctly;
 - Tighten the screws;



2. Precisely mark the center of the hole;
3. Use the pilot pin to position the machine in the correct position, with the tip of the pilot pin to meet the marked center of the hole;

4. Make sure that the motor L/R knob in neutral position ,then switch on the electromagnet and verify that the drill is in the right position and that the machine is pushed tight against the work piece;
5. Fill the holes of the spindle with oil;
6. Rotate the L/R knob and allow the spindle to run at the required direction of rotation;
7. Turn the feed handles to start drilling. Apply only a slight pressure when the annular cutter touches the metal. Do not push the annular cutter with force into the metal;
8. Apply a regular pressure while drilling. The drilling performance does not improve by putting more pressure on the machine. Too much pressure will overload the motor and your annular cutter will be worn sooner;

A continuous, non-discoloured iron swarf is a sign of correct drilling speed and a well-cooled, sharp cutter. Let the cutter do the job and give it time to cut the metal!

9. Stop drilling regularly, refill the holes of the spindle and continue drilling;
10. Apply less pressure when the drill cuts through the material. The slug will be pushed out of the cutter by the pilot pin;
11. Turn the feed handles to put the motor in highest position and turn the L/R knob in neutral position,then turn the motor and electromagnet off
12. Remove the burrs, metal chips and clean the cutter and surface without getting injuries.



WARNING: *The slug is sharp and may be hot!*

5.2 Twist drills

Morse taper 4 shank(MT4)

Fit the MT4 twist drill into the output shaft directly.

Weldon shank 19.05 mm (3/4")

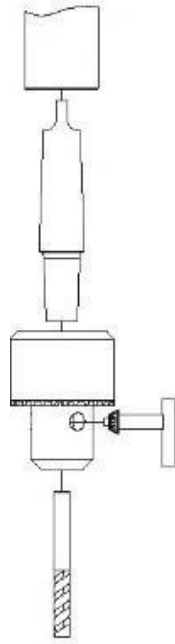
1. Fit the adapter(Code IBK.MC4-MC3) and Morse Taper 3(MT3) arbor for Weldon shank provided.
2. Fit the twist drill with 19.05 mm (3/4") Weldon shank (EUROBOOR code SPI or SSPI) and tighten the screws with the provided Allen key.

Follow the further steps in paragraph Annular cutters.

Standard parallel shank (DIN338)

1. Fit the adapter(code IBK.MC4-MC3)provided.
2. Fit a MT3 arbor connection
 - a. EUROBOOR code 1/2UNF-MC3 for 1/2" x 20 UNF drill chuck connections

- b. EUROBOOR code B16-MC3 for B16 drill chuck connections
- 3. Fit the appropriate twist drill chuck to the arbor.
- 4. Fit the drill with parallel shank and fasten it



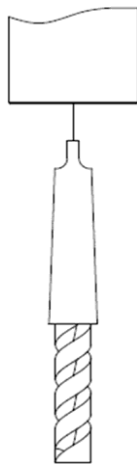
[image 5-2 |
Example of fastening a drill with a key]

- 5. Precisely mark the center of the hole, and use the tip of the twist drill to position the machine.

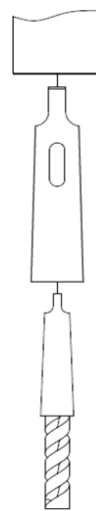
For further steps see paragraph Annular cutters.

Morse Taper shanks (MT2 or MT3)

- 1. Fit the adapter (code IBK.MC4-MC3) provided.
- 2. Fit a twist drill with a MT3 shank
- 3. For twist drills with a MT2 shank fit an MT3-MT2 adapter (EUROBOOR code IBK.MC3-MC2) before fitting the drill (see below)



[image 5.3 | Fitting drill with MT3 shank]



[image 5.4 | Fitting drill with MT3-MT2 adapter]

- 4. Precisely mark the center of the hole, and use the tip of the twist drill to position the machine.

For further steps see paragraph Annular cutters.

5.3 Machine taps

The machine is equipped with counter clockwise rotation and can therefore also be used for tapping.

Drill tap combination with Weldon 19.05 mm (3/4") shank

1. Fit the adapter (code IBK.MC4-MC3) provided.
2. Fit the drill tap (EUROBOOR code EDT) into a spindle with 19.05 mm (3/4") connection and fasten by tightening the screws with the provided Allen key;
3. Switch on the electromagnet and set the L/R knob from the neutral position to R position.
4. Drill the required hole and tap simultaneously;
5. Switch off the motor and set the L/R knob from the neutral position to L position.
6. Guide the motor unit upwards with the feed handles to allow the drill tap to come completely out of the work piece.

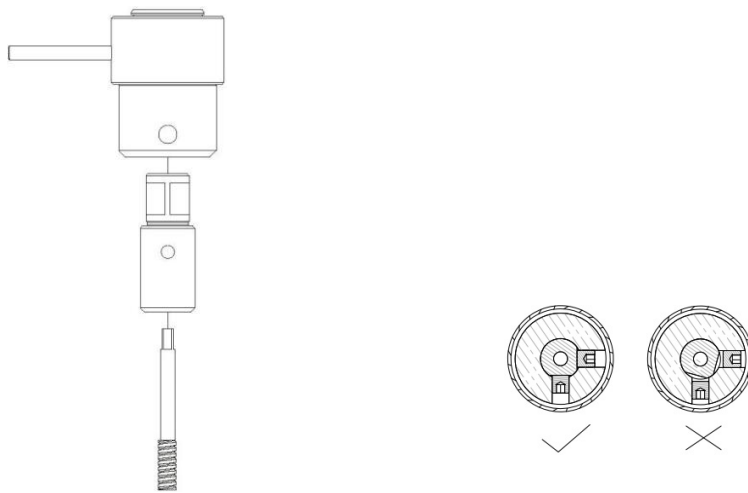
Machine taps (DIN 371/376) with Weldon adapter

1. Drill the hole for the tap on the recommended size;
2. Switch off the motor and change the cutter or drill for the tap holder and the machine tap;



WARNING: Do not change the position of the machine!

3. Install the machine tap into the tap holder (EUROBOOR code TCM) and tighten the screws;
4. Fit the tap holder into a spindle with 19.05 mm (3/4") or 31.75 mm (1 1/4") Weldon connection (depending on tap size);



[image 5-5]

5. Follow the steps mentioned in paragraph drill tap.



WARNING: Do not let your tap push up the motor unit by itself!

Make sure to properly lubricate while performing tapping work, see paragraph 5.1 Annular cutters.

5.4 Countersinks

Thanks to its wide range of operating speeds, the machine can also be used for reaming or countersinking. Follow the steps mention in paragraph 5.2 Twist drills.

6. Maintenance

Your EUROBOOR magnetic drilling machine has been designed to operate over a long period of time. Continuous satisfactory operation depends upon proper tool care and regular cleaning.



CAUTION: To reduce the risk of injury, turn the machine off and disconnect machine from power source before installing and removing accessories, before adjusting or changing set-ups or when making repairs. Be sure the switch is in the OFF position. An accidental start-up can cause injury.

Just as every magnetic drilling machine with moving parts, your EUROBOOR magnetic drilling machine also needs regular maintenance service. A few recommendations follow :

Visually check the machine for damage

The machine must be checked before operating for any signs of damage that will affect the operation of the machine. Particular notice must be taken of the main cable, if the machine appears to be damaged it should not be used. Failure to do so may cause injury or death.

Cleaning

- Clean all dirt, dust, metal chips and burrs of your magnetic drilling machine;
- Blow dirt and dust out of the main housing with dry air as often as dirt is seen collecting in and around the air vents. Wear approved eye protection and an approved dust mask;
- Never use solvents or other harsh chemicals for cleaning the non-metallic parts of the tool. These chemicals may weaken the materials used in these parts. Use a cloth dampened only with water and mild soap. Never let any liquid get inside the tool; never immerse any part of the tool into a liquid.

Operation of the machine

The machines operation must be checked to ensure that all components are working correctly. Replace any defective parts immediately. This prevents properly functioning parts from being damaged.

Check magnetic base

Before every operation the magnetic base should be checked to make sure that the base is flat and there is no damage present. An uneven magnet base will cause the magnet to hold not as efficiently and may cause injury to the operator. When the machine is put out of use for a longer period, apply a small amount of machine oil to the underside of the magnetic base for rust protection. Clean the magnetic base again with next use.

Check gearbox oil (IBO.G101)

The oil should be checked once a month to ensure all moving components are covered to prevent wear. The oil should be changed at least once a year to ensure you gain the best from the machine.

Check armature

This should be checked at least once a month to check if there are visual signs of damage to the body or to the commutator. Some signs of wear will be seen on the commutator over a period of time this is normal as this is the part that comes in contact with the brushes but any signs of abnormal damage means the part should be replaced.

Adjustment of slide

An essential requirement of the machine is that the slide can move in a smooth and controlled manner, free of lateral movement and vibration.

This situation can be maintained by periodic adjustment of the slide and can be accomplished in the following manner:

1. Place the machine in an upright position and, by means of the capstan, raise the slide to its highest position. Clean the aluminum rails and apply a small amount of light machine oil to the wear surfaces;
2. Gently feed in setting screw with supplied Allen key 2.5 until slight resistance is encountered. Follow your way down adjusting all setting nuts and screws;
3. Operate the slide up and down a few times to test the movement and make any further necessary adjustments. Try to ensure that all the screws are exerting a uniform pressure on the slide from top to bottom. A perfectly adjusted slide will operate freely up and down without any sideways movement.

Lubricating the feed travel

The feed travel should be lubricated periodically with grease to ensure smooth operation.

- Raise the motor unit to the highest position possible;
- Lubricate the dove-tail guideway at both sides;
- Lubricate the gear rack.

After repeated use, the gear rack may become loose. If necessary, adjust the five self-locking set screws at the left side. Tighten screws in series until the gear rack moves freely in the dove-tail guideway but does not allow the motor to wobble.

Repair, modification and inspection

Repair, modification and inspection of EUROBOOR Magnetic drilling machines must be done by EUROBOOR or an EUROBOOR authorised dealer. The spare parts list will be helpful if presented with the machine to the EUROBOOR dealer for service when requesting repair or other maintenance.

EUROBOOR machines are constantly being improved and modified to incorporate the latest technological advancements. Accordingly, some parts (i.e. part numbers and/or design) may be changed without prior notice. Also, due to EUROBOOR's continuing program of research and development, the specifications of machines are subject to change without prior notice.



WARNING: *Since accessories, other than those offered by EUROBOOR, have not been tested with this machine, use of such accessories with this tool could be hazardous. To reduce the risk of injury, only EUROBOOR recommended accessories should be used with this machine.*

Consult your dealer for further information on the appropriate accessories.

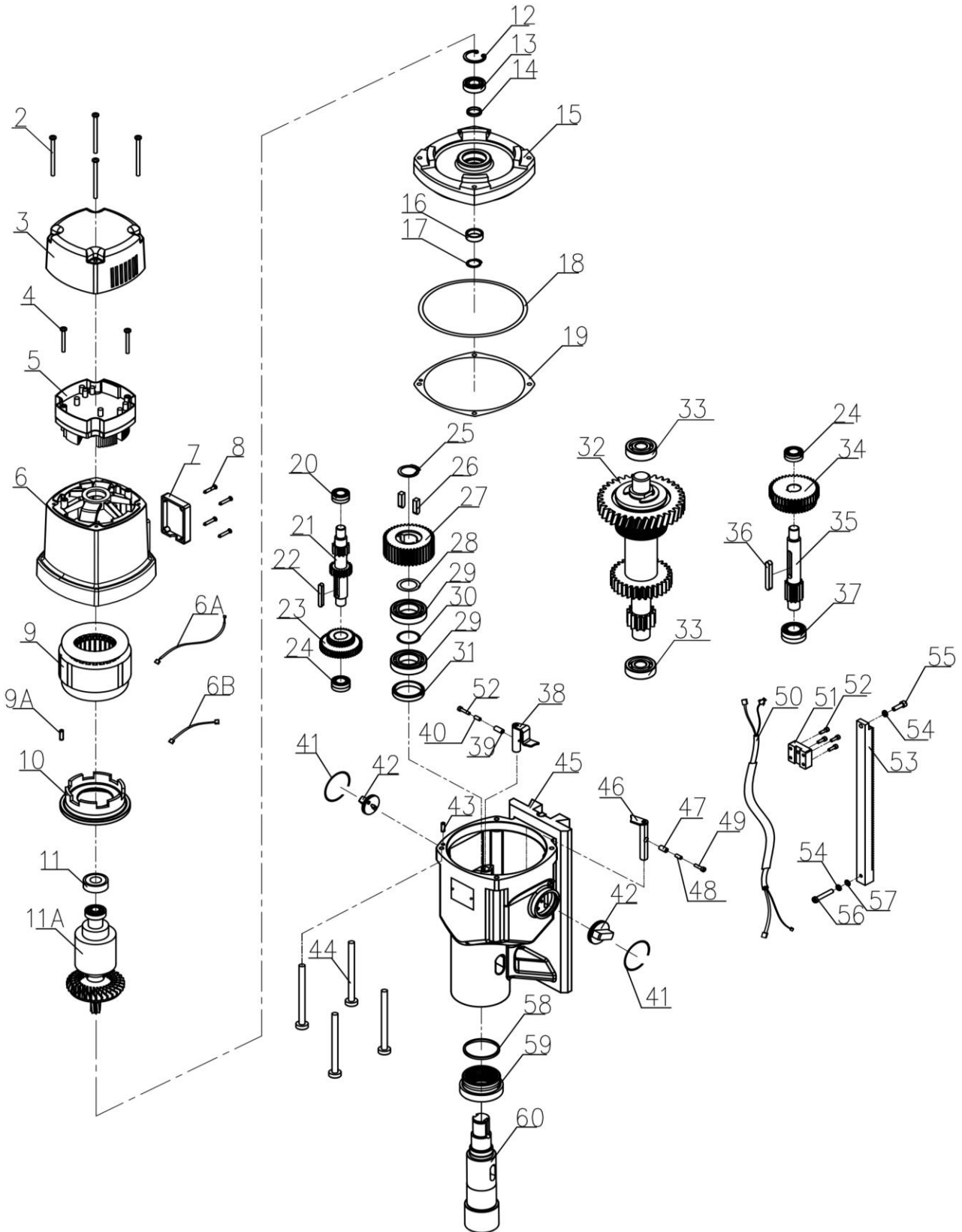
7. Trouble shooting

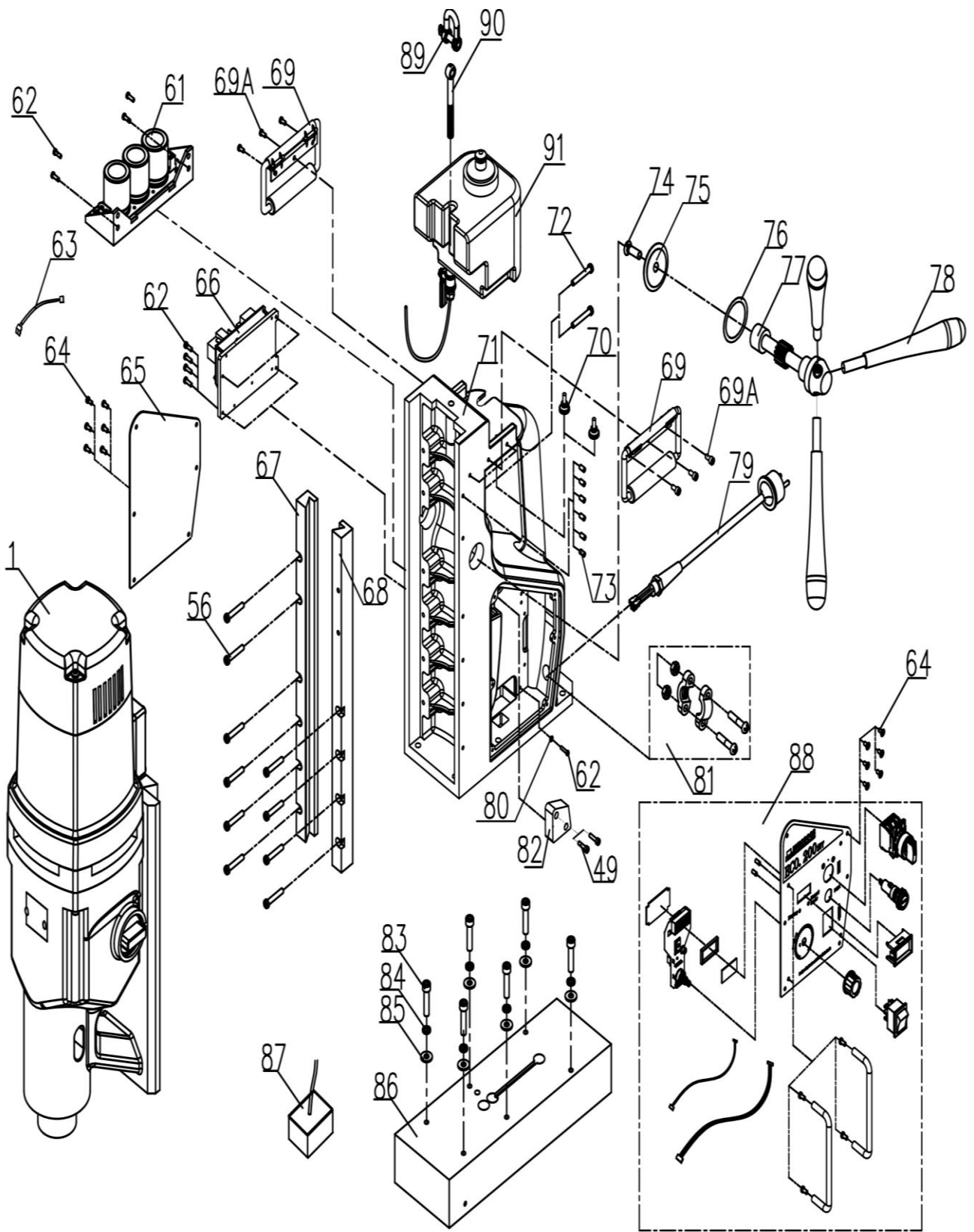
Magnet and motor do not function	<ul style="list-style-type: none"> - The magnet switch is not connected to the power supply - Damaged or defective wiring - Defective fuse - Defective magnet switch - Defective control unit - Defective power supply
Magnet does function, the motor does not work	<ul style="list-style-type: none"> - Damaged or defective wiring - Defective magnet switch - Defective On / Off switch - Defective control unit - Defective armature and/or field
Falut code:0001 displayed	<ul style="list-style-type: none"> - -Motor overload - -Power protection program activated
Magnet does not function, the motor does	<ul style="list-style-type: none"> - Defective magnet - Defective wiring of magnet - Defective control unit
Annular cutters break quickly, holes are bigger than the annular cutter	<ul style="list-style-type: none"> - Clearance in the guide - Bent spindle - Shaft extending from the motor is bent - Bent pilot pin
Motor running roughly and/or seizing up	<ul style="list-style-type: none"> - Bent spindle - Shaft extending from the motor is bent - Triangular guide not mounted straight - Dirt between spindle and triangular guide
Motor starts running when magnet switch is turned on	<ul style="list-style-type: none"> - Damage or defective relay in control unit
Motor making a rattling sound	<ul style="list-style-type: none"> - Gear ring (bottom of the armature) worn out - Gear(s) worn out - No oil in gearbox
Motor does not start or fails	<ul style="list-style-type: none"> - Damaged or defective wiring - Dirt in sensor control unit - Defective or loose magnet on top of armature - Damaged or defective (sensor) control unit - Damage to armature or field coil
Guiding takes a great deal of effort	<ul style="list-style-type: none"> - Guide is set too tight - Guide is dry, needs to be greased - Guide/gear- rack/rotation system dirty or damaged
Insufficient magnetic force	<ul style="list-style-type: none"> - Damaged or defective wiring - Bottom of magnet not clean and dry - Bottom of magnet not flat - Workpiece is not bare metal - Workpiece is not clean or flat - Workpiece is less than 6 mm (too thin) - Defective control unit - Defective magnet

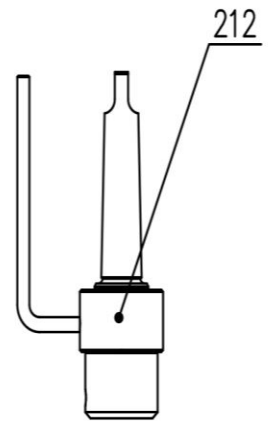
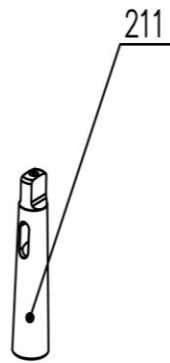
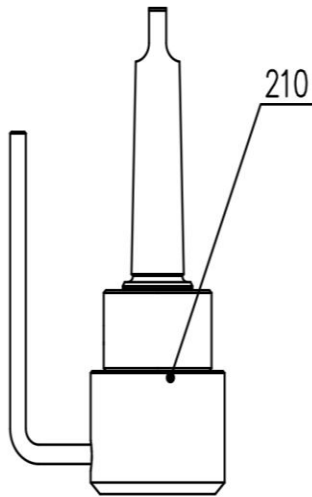
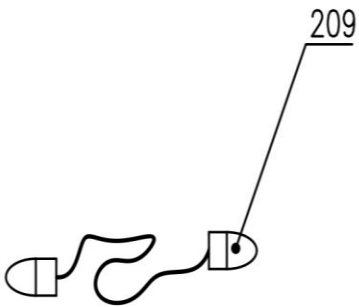
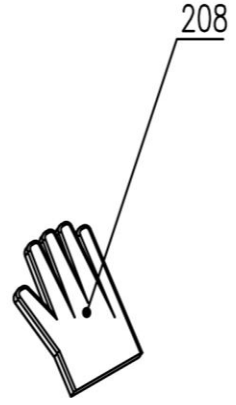
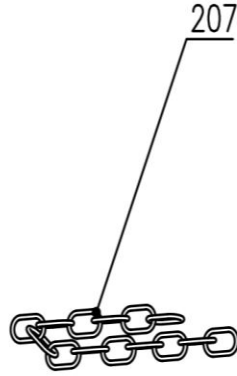
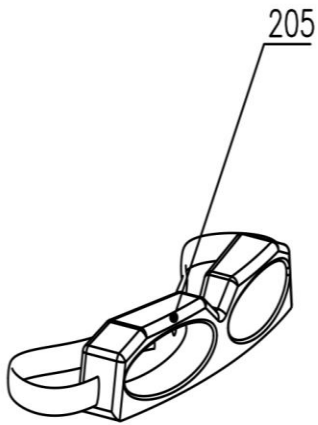
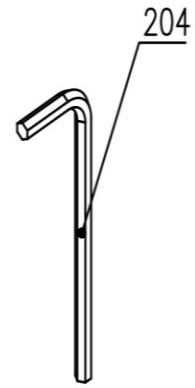
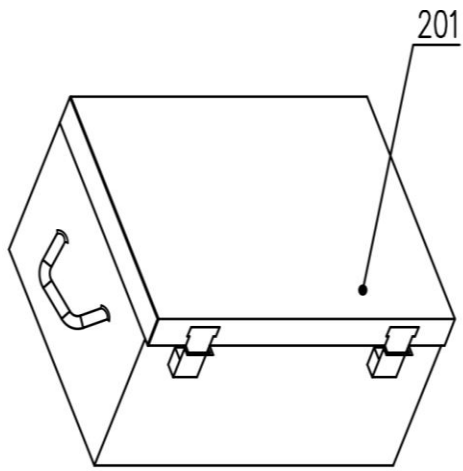
Frame under voltage	<ul style="list-style-type: none"> - Damaged / defective wiring - Defective magnet - Motor seriously dirty
Fuse blows when magnet switch is turned on	<ul style="list-style-type: none"> - Damaged or defective wiring - Wrong value fuse - Defective magnet switch - Defective control unit - Defective magnet
Fuse blows when motor is started	<ul style="list-style-type: none"> - Damaged or defective wiring - Wrong value fuse - Motor running roughly - Defective armature and / or field - Defective control unit
Rotation system free stroke too long	<ul style="list-style-type: none"> - Loose or defective gear rack - Defective rotation system

8. Exploded views & spare parts list

8.1 Exploded views







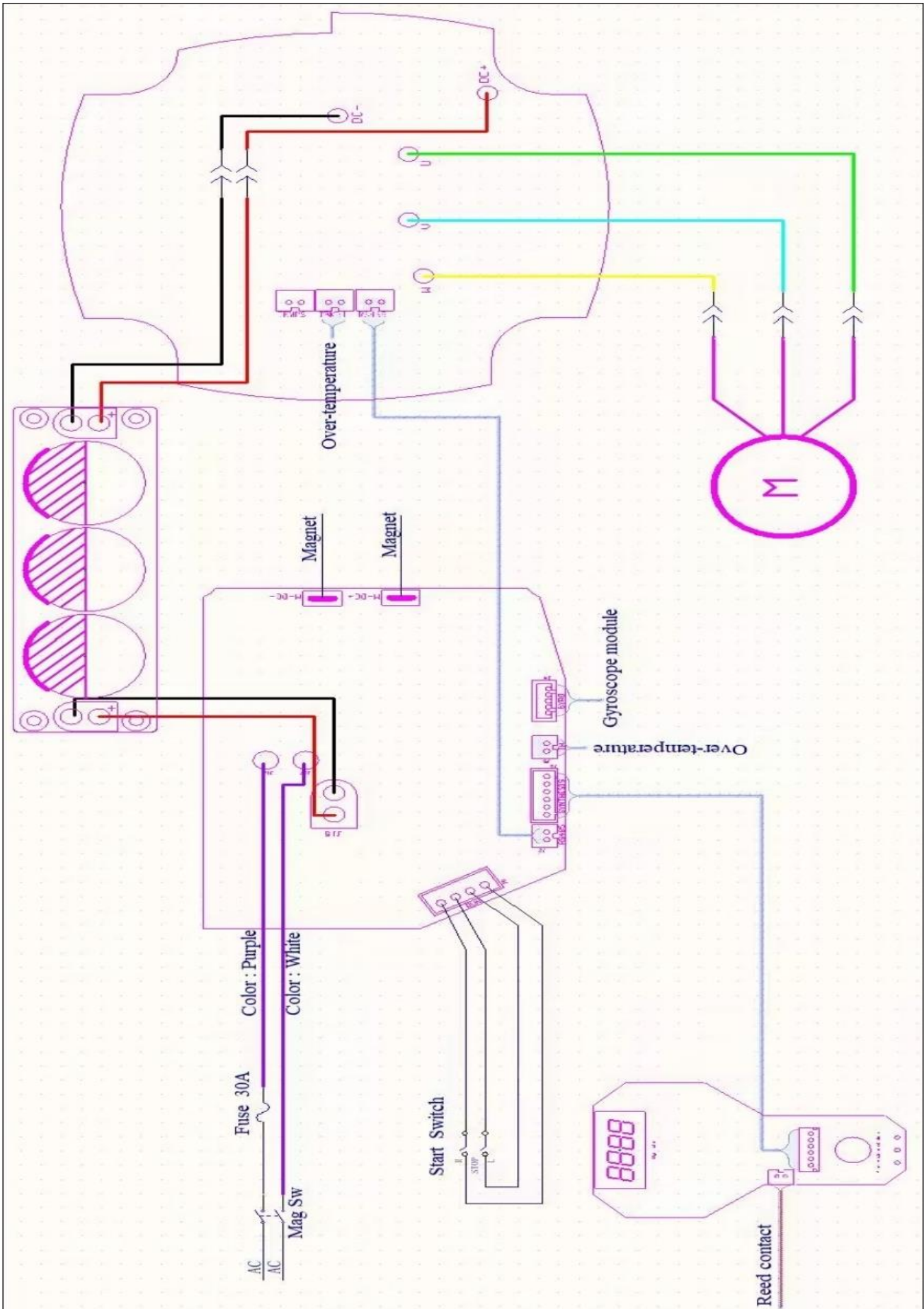
8.2 Sparepart lists

ECO.200S/T

No.	Part no.	Description	Qty
1	200.1001	Motor assembly	1
2	200.0030	Screw	4
3	200.0107	End-Cover	1
4	200.0031	Screw	2
5	200.0025	control panel PCB	1
6	200.0015	Housing	1
6A	200.0115	Two-core cable	1
6B	200.1012	Red and black line components	1
7	200.0024	Cable-housing	1
8	200.0036	Screw	4
9	200.0027-CK	Stator	1
9A	200.0133	Pin	1
10	200.0023	Plastic plate	1
11	200.0046	Rubber-Bearing	1
11A	200.1010	Armature set(220v)	1
12	200.0048	Circlip	1
13	032.0196	Bearing	1
14	200.0049	Sealant	1
15	200.0042	Gearbox cover	1
16	200.0065	Rotor iron seal	1
17	200.0071	Circlip	1
18	200.0051	O-ring	1
19	200.0128	Gasket	1
20	200.0052	Bearing	1
21	200.0020	Gear	1
22	200.0053	Key	1
23	200.0019	Double row gear 1	1
24	200.0054	Bearing	2
25	036.0018	Circlip	1
26	200.0055	Key	2
27	200.0018	Gear	1
28	100.0441	Gasket	1
29	100.0466	Bearing	2
30	200.0056	Gasket	1
31	100S.0065	Sealant	1
32	200.1002	Skew gear assembly	1
33	Air.0049	Bearing	2
34	200.0016	Large double gear 1	1
35	200.0021	3# Shaft gear	1
36	200.0064	Key	1
37	200.0066	Bearing	1
38	200.1003	S-shaped fork set	1
39	200.0068	Screw column	1
40	200.0131	Isolation column	1
41	200.0069	Stop ring for hole	2
42	200.1004	Potentiometer set	1
43	100.0549	locating tab	1
44	200.0073	Lnside hexagonal bolt	4
45	200.1014	Gearbox set	1
46	200.1005	Parallel fork set	1
47	200.0076	Screw column	1
48	200.0132	Isolation column	1
49	020.0229A	Screw	3
50	200.1011	Combo cable	1

No.	Part no.	Description	Qty
51	200.0037	Rack adapter block	1
52	020.0229	Screw	5
53	200.0038	Rack	1
54	020.0106C	Spring washer	2
55	020.0106	Screw	1
56	020.0146B	Screw	11
57	020.0106B	Blackened flat pad	1
58	100S.0067	Wool felt	1
59	100S.0066	Combination bearing	1
60	200.0462	Output shaft	1
61	200.1006	Capacitor assembly	1
62	020.0327	Screw	9
63	200.1013	Red and black line components	1
64	020.0101	Screw	12
65	200.0082	Rear-panel	1
66	200.0026	Control Board PCB Board	1
67	200.0039	Aluminum-rail (left)	1
68	200.0040	Aluminum-rail (right)	1
69	200.0097	Handle	2
69A	200.0134	Screw	6
70	200.0103	Hand screw	2
71	200.1015	Frame	1
72	200.0078	Screw	2
73	020.0301	Screw	6
74	020.0081	Screw	1
75	050.0030	Rocker arm cover plate	1
76	032.0127	Rocker arm steel sleeve	2
77	200.0101	Rocker shaft	1
78	020.0314X	Rocker arm handle	3
79	030.B125	Main-cable set	1
80	040.0286F	Pattern gasket	1
81	032.1020-CK	Cable clamp assembly	1
82	200.0041	Cable pressing plate	1
83	080.0014	Screw	6
84	100A.0015	Spring washers	6
85	020.0305	Black flat mat	6
86	200.1007	Electromagnet base	1
87	055.1041	Gyroscope assembly	1
88	200.1016	Control panel assembly	1
89	200.0092	D-shaped connecting	1
90	200.0093	Rings	1
91	200.1009	Coolant-tant set	1
201	200.0203S	ECO.200 iron box	1
202	020.0111	Allen wrench 2.5mm	1
203	020.0113	Allen wrench 5.0mm	1
204	080.0006	Allen wrench 6.0mm	1
205	020.0107	Safety goggles	1
206	200.0096	Drift MT4	1
207	032.2013	Safty chain	1
208	020.1008S	Euroboor gloves	1
209	020.0109	Safty ear protection	1
210	200.2002	Spindle MT4 31.75 Weldon	1
211	IBK.MC4-MC3	Morse taper adapter	1
212	200.2003	Spindle MT3 19.05 Weldon	1

8.3 Wiring diagram



8.4 Warranty and service

Warranty

Euroboor B.V. warrants this magnetic drilling machine to be free of material defects and workmanship errors under normal use for a period of 12 months after date of purchase.

This 12 month period can be extended to 24 months in total by registering the product on our website: <https://euroboor.com/support/register/>.

Serial number:

Date of purchase:

Don't forget to register your machine at:
<https://euroboor.com/support/register/>
[only when registered you benefit from extended warranty]

Service

To maximise the lifetime of your EUROBOOR machine always use service and parts from an official EUROBOOR distribution channel. Whenever in need of such, always contact original point of sales or, if no longer existent, the distributor of EUROBOOR products in your count